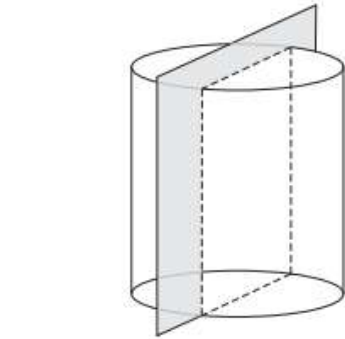


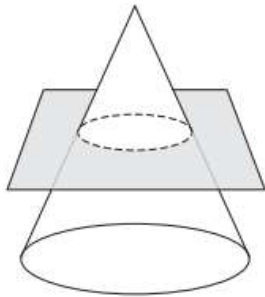
Name: \_\_\_\_\_

**Slices and Rotations**

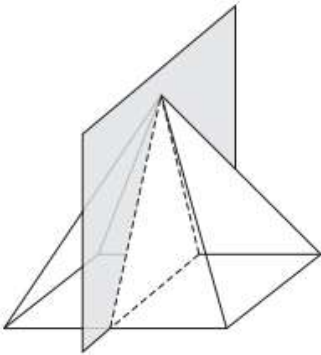
Sketch the 2-dimensional figure formed by slicing the 3-dimensional figure with the plane shown.



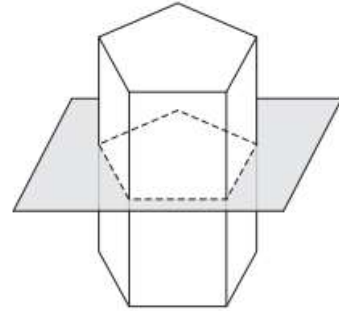
1.



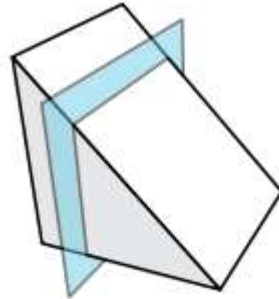
2.



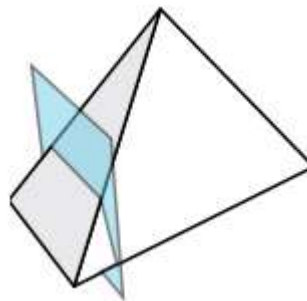
3.



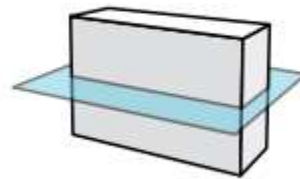
4.



5.



6.

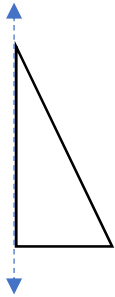


7.

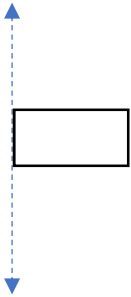
Name: \_\_\_\_\_

Sketch the 3-dimensional figure formed by rotating the 2-dimensional figure around the line.

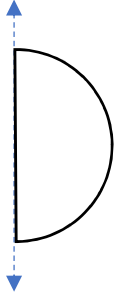
8. .



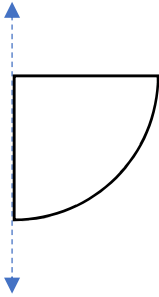
11. .



9. .



12. .



10. .

